

49/U-F SMD Crystal Unit



{ Features }

- Low cost
- Industry standard package
- High reliability and stability crystal
- Wide frequency range and calibration tolerances available
- Rohs compliant / Pb free

Application of Crystal:

- Best choice for mother board
- USB
- LAN card
- Router
- Switch



Electrical Specification:

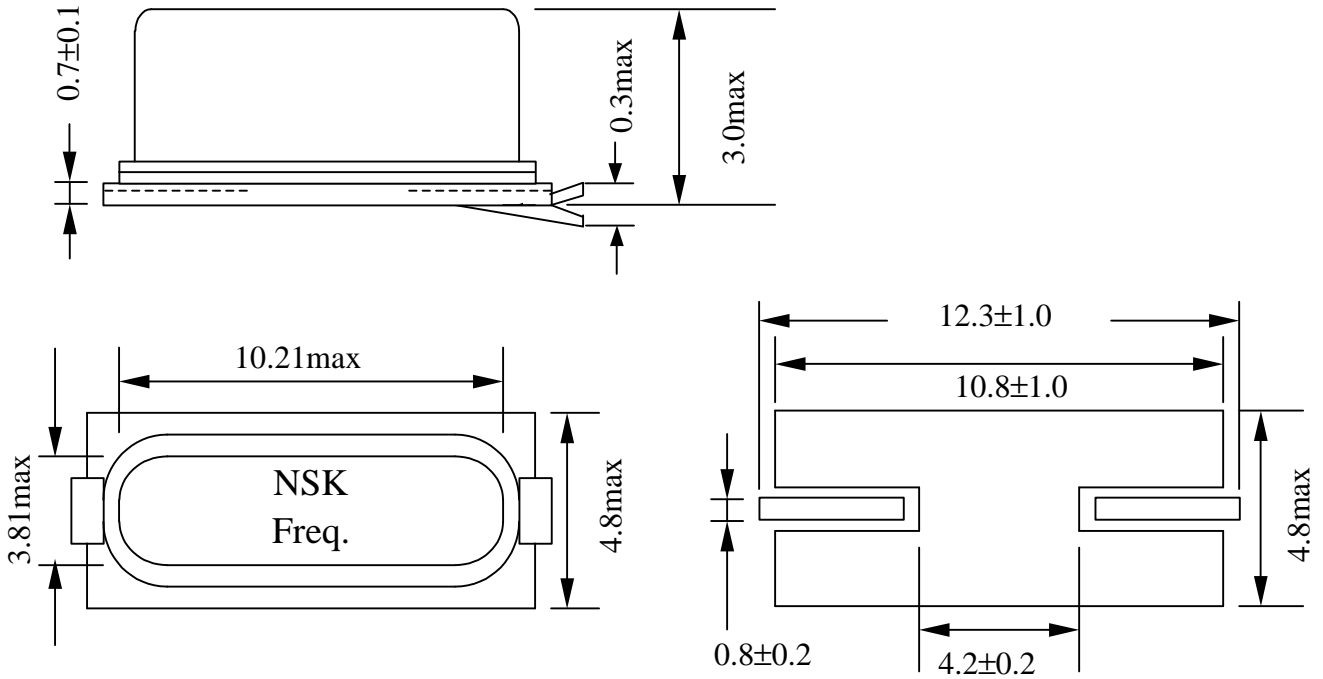
Model	49/U-F
Frequency Range	3.579545 ~ 100.000 MHz
Frequency Tolerance at 25 °C ± °C	±0 ~ ±50 ppm (TYP.)
Frequency Stability Over Oper Temp Range	±0 ~ ±50 ppm (TYP.)
Operating Temp Range	-10 °C ~ +60 °C, -20 °C ~ +70 °C or customer requirement
Load Capacitance	8 pF ~ 32 pF, series or special
Drive Level	0.1uW ~ 1000uW(TYP.: 100uW)
Insulation Resistance	500M min / DC 100V ±5V
Soldering Reflow Profile	255 °C ±0 °C 8sec. max
Case Material	Low profile type
Oscillation Mode	Fundamental, 3rd overtone
Measure Instrument	S&A 250B

Equivalent Series Resistance(ESR) VS Frequency:

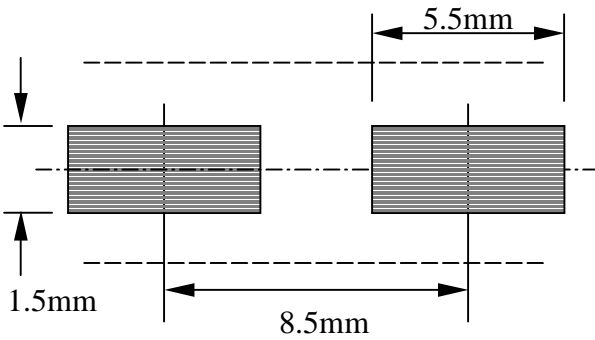
Frequency (MHz)	Oscillation Mode	49/U-F
3.57 ~ 3.79	Fundamental	180 max.
3.8 ~ 4.49	Fundamental	150
4.5 ~ 5.99	Fundamental	120
6.0 ~ 7.99	Fundamental	100
8.0 ~ 9.99	Fundamental	80
10.0 ~ 11.99	Fundamental	70
12.0 ~ 15.99	Fundamental	60
16.0 ~ 19.99	Fundamental	50
20.0 ~ 39.99	Fundamental	40
26.0 ~ 39.99	3rd overtone	100
40.0 ~ 70.0	3rd overtone	80
70.0 ~ 100.0	3rd overtone	100



Dimensions (mm):



Land pattern (reference):



Reflow Temperature Profile:

