

Tuning Fork (GJ SMD 2 x 6)



{Features}



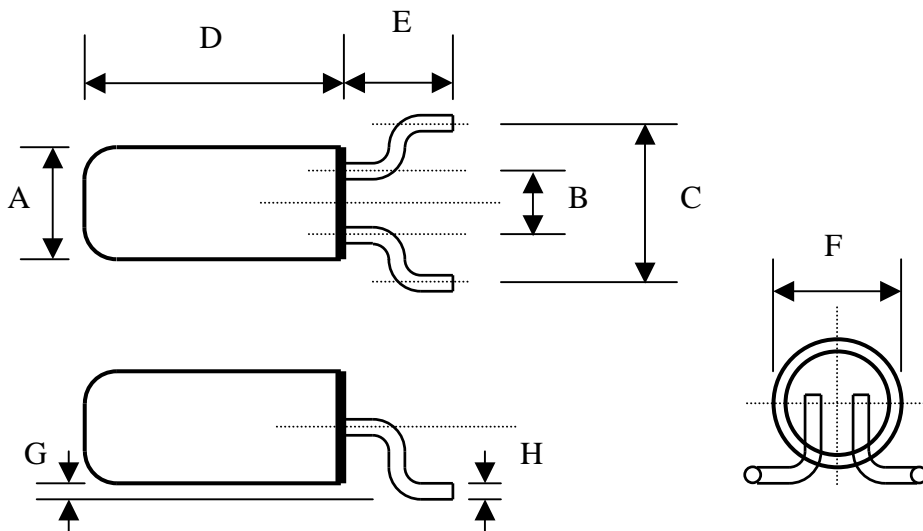
- High stability assured with tight vacuum sealing
- High vibration and shock resistance
- Frequency: 32.768 KHz



Electrical Specification:

Model	GJ-206 SMD
Frequency	32.768 KHz
Frequency Tolerance	± 20 ppm or ± 50 ppm
Operating Temp Range	$-10^{\circ}\text{C} \sim +60^{\circ}\text{C}$, $-20^{\circ}\text{C} \sim +70^{\circ}\text{C}$
Temperature Coefficient (Frequency)	-0.04 ppm ± 0.006 ppm/ $^{\circ}\text{C}^2$ (TYP.)
Load Capacitance	12.5 pF
Drive Level	1uW ~ 10uW
Resonance Resistance	35 K Ω
Shunt Capacitance	5 pF max (TYP.)
Oscillation Mode	Fundamental
Soldering Condition	Under 260°C with 5sec (Do not heat the package to more than 150°C)

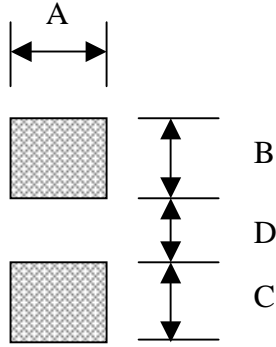
Dimensions (mm):



A	B	C	D	E	F	G	H
$\phi 1.9 \pm 0.1$	0.7 ± 0.2	2.54 ± 0.2	6.5 max.	3.0 ± 0.2	$\phi 2.0 \pm 0.2$	0 ~ 0.25	0.23 ± 0.03

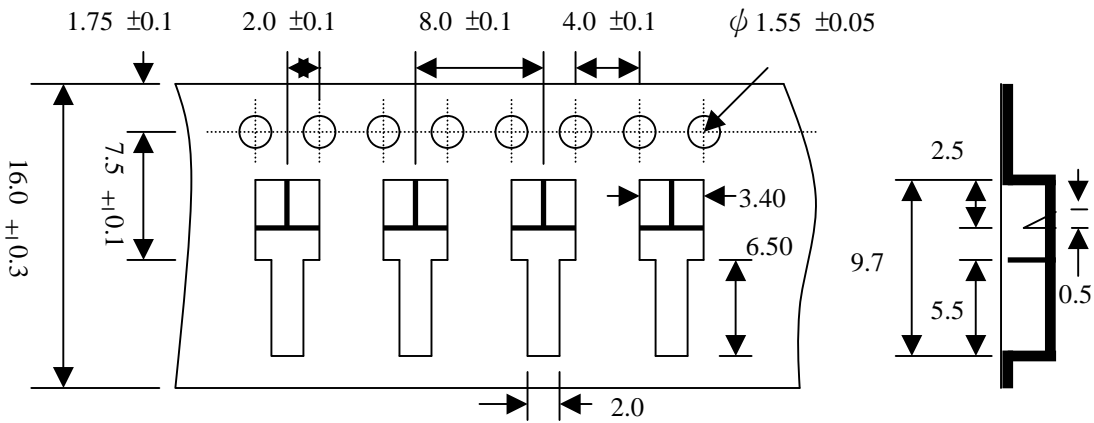


LAND PATTERN LAYOUT (EXAMPLE)



A	B	C	D
1.9	1.7	1.7	1.0

TAPE AND REEL DIMENSIONS (UNIT:mm)



W	16.0 ±0.3
A0	2.0 ±0.1
B0	9.5 ±0.1
K0	2.0 ±0.1

Reflow Temperature Profile:

