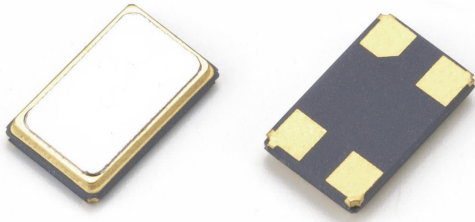


## SMD TYPE CERAMIC (SMD 4 x 2.5)



### Application of SMD crystal:

- Radio communication
- TCXO
- Office automation equipment
- GPS
- Audio-visual equipment



### {Features}

Seam welding  
 Excellent solderability  
 Automatic and perfect packing due to emboss taping  
 Excellent vibration resistance & shock resistance  
 Rohs compliant / Pb free

### Electrical Specification:

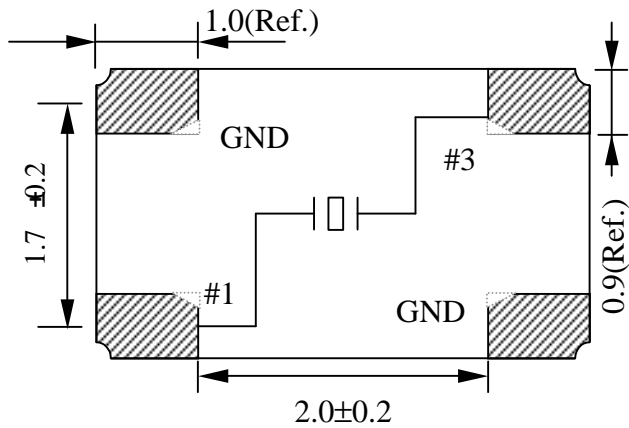
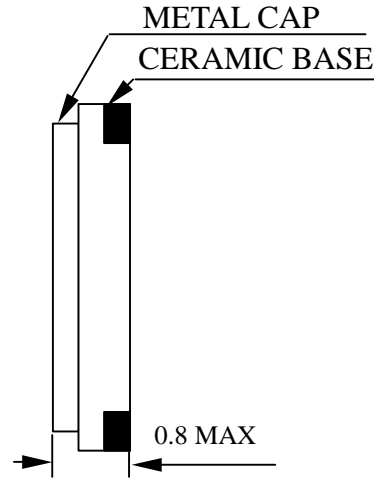
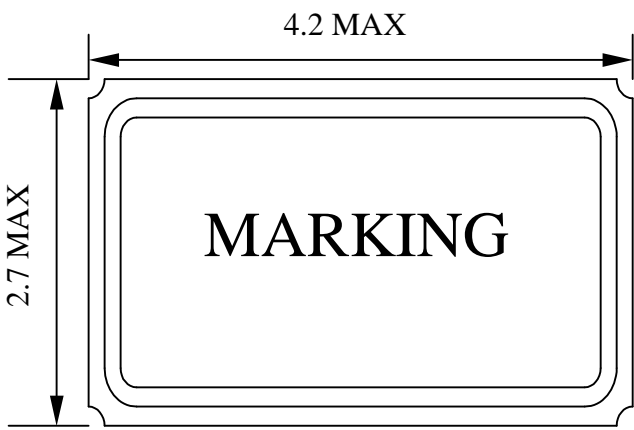
Model	GJ-4025
<b>1.Frequency</b>	
Frequency Range	10.1 ~ 40.0 MHz
Frequency Tolerance at 25 ℃ ± ℃	±0 ~ ±30 ppm (TYP.)
Frequency Stability Over Operating Temp Range	±0 ~ ±30 ppm (TYP.)
<b>2.Environmental Condition</b>	
Operating Temp Range	-10 ℃~ +60 ℃,-20 ℃~ +70 ℃ or customer requirement
Storage Temp Range	-40 ℃ ~ +85 ℃
Aging Rate	±3ppm/year
<b>3.Electrical Specifications</b>	
Test Circuit	S&A 250B
Load Capacitance	6 pF ~ 32 pF, series or special
Drive Level	1uW ~ 100uW or special
Shunt Capacitance	7.0pF max

### Equivalent Series Resistance(ESR) VS Frequency:

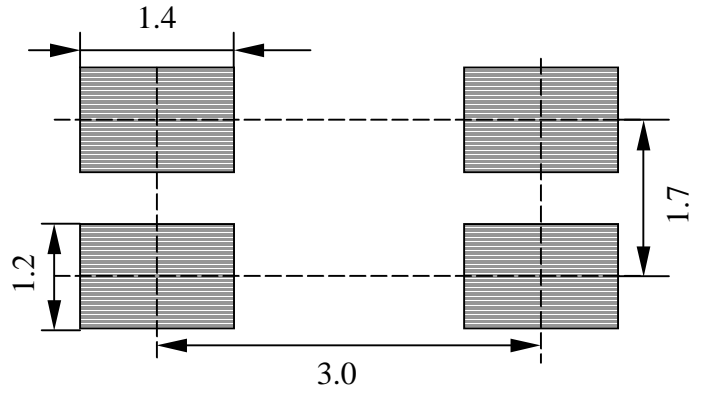
Frequency (MHz)	Oscillation Mode	GJ-4025
10.1 ~ 22.0	Fundamental	80
22.1 ~ 40.0	Fundamental	60



**Dimensions (mm):**

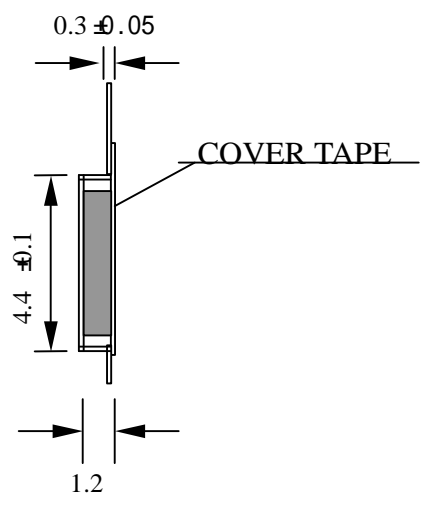
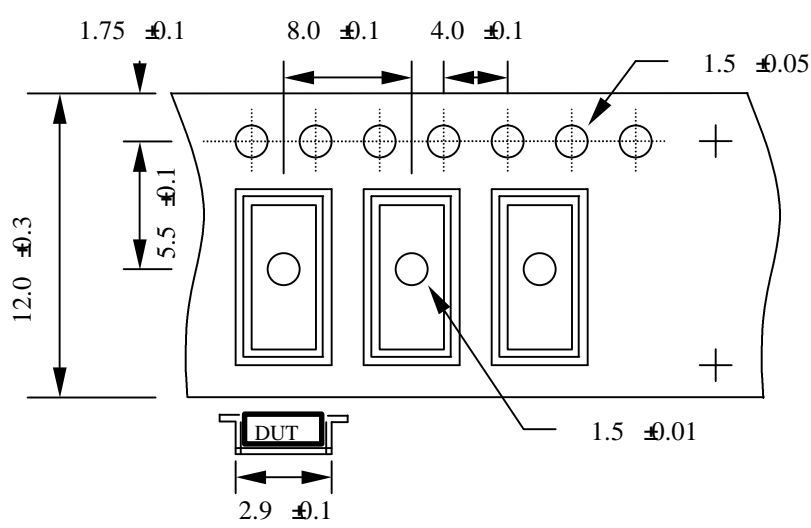


<TOP VIEW>

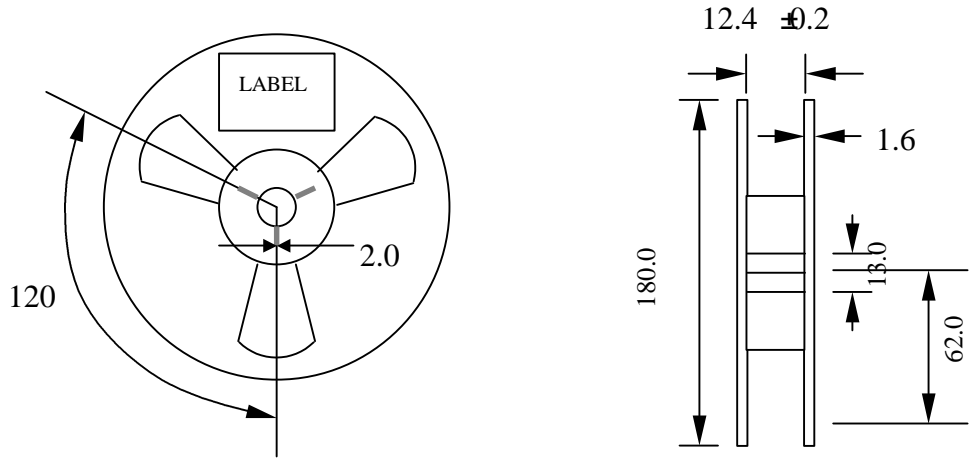


( Recommended Land Pattern )

**Tape specification (mm):**



**Reel packing (mm):**



**Reflow Temperature profile:**

