



# CRYSTAL UNIT

## GX-32254

### Applications

- Computer Clocks / DVC / DSC / OA AV Machine

### Features

- Dimensions (3.2×2.5×0.8)
- Ceramic SMD Package
- Glass sealed
- Tight Tolerance and Stability
- Reflow Soldering / Emboss Taping
- Compliant products with AEC-Q200

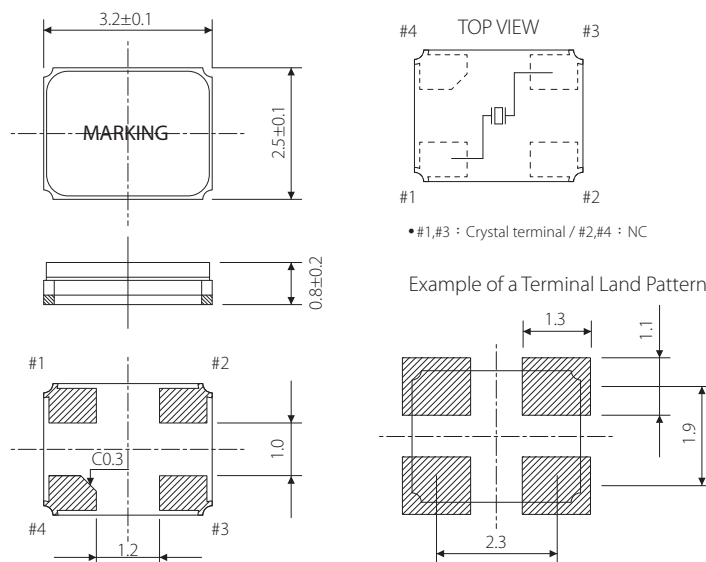
### Specifications



Model	GX-32254	
Nominal frequency range	10.000~54.000 MHz	
Crystal cut	Fundamental [AT-cut]	
Storage temperature range	-40~+90°C; -40~+125°C (For AEC-Q200)	
Operating temperature range	-10~+60°C	-30~+85°C
Frequency temperature characteristics (Ref. to +25°C)	$\pm 30 \times 10^{-6}$	$\pm 50 \times 10^{-6}$
Frequency tolerance (at +25°C)	$\pm 10 \times 10^{-6}$	
Equivalent series resistance	200Ω: 10.000~12.999 MHz 150Ω: 13.000~13.999 MHz 120Ω: 14.000~15.999 MHz	100Ω: 16.000~18.999 MHz 80Ω: 19.000~29.999 MHz 60Ω: 30.000~54.000 MHz
Load capacitance	series, 10pF, 12pF, 16pF	
Shunt capacitance	5pF max.	
Level of drive	10 μW (100 μW max.)	

Package quantity: 3,000pcs max./Reel.  
The product is suitable for Car multimedia, Car accessory application.

### Outline and Dimensions [unit:mm]



Maximum marking length		Marking
line1	line2	
4	4	Laser
ex.)		<div style="border: 1px solid black; padding: 5px; display: inline-block;">           24 . 5 S G A         </div>

