



CRYSTAL UNIT

CGX-32254

Applications

- Automotive / MultiMedia / Bluetooth

Features

- Dimensions (3.2×2.5×0.8)
- Ceramic SMD Package
- Glass sealed
- Excellent Environment Resistant
- Reflow Soldering / Emboss Taping
- Compliant products with AEC-Q200

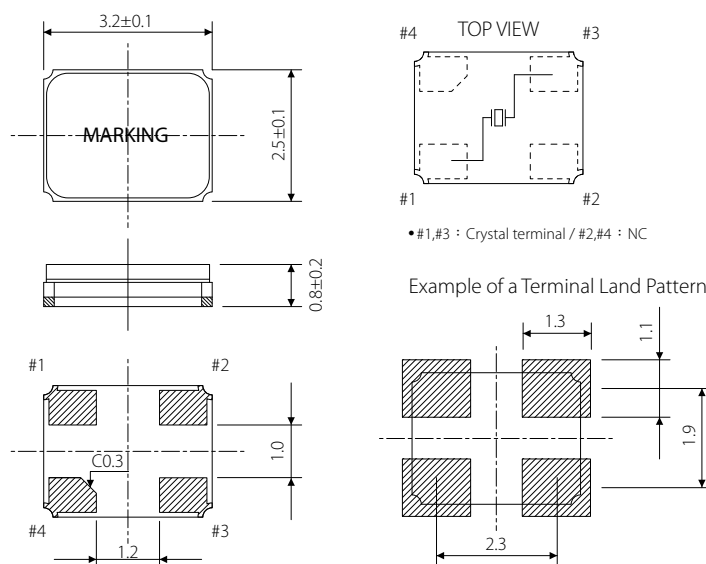
Specifications



Model	CGX-32254
Nominal frequency range	12.000 ~ 55.000 MHz
Crystal cut	Fundamental [AT-cut]
Storage temperature range	-40 ~ +90 , -40 ~ +125
Operating temperature range	-40 ~ +85 , -40 ~ +125
Frequency temperature characteristics (Ref. to +25°C)	$\pm 50 \times 10^{-6}$; $\pm 100 \times 10^{-6}$
Frequency tolerance (at +25°C)	$\pm 30 \times 10^{-6}$; $\pm 50 \times 10^{-6}$
Equivalent series resistance	120Ω: 12.000~18.999 MHz 60Ω: 19.000~55.000 MHz
Load capacitance	series, 10pF, 12pF, 16pF
Shunt capacitance	5pF max.
Level of drive	10 μW (100 μW max.)

Package quantity: 3,000pcs max./Reel.
The product is suitable for Car multimedia, Car accessory application.

Outline and Dimensions [unit:mm]



Maximum marking length		Marking
line1	line2	
4	4	Laser
ex.)		<div style="border: 1px solid black; padding: 5px; display: inline-block;"> 24 . 5 S G A </div>

