



CRYSTAL UNIT

CSX-3225

Applications

- Automotive / MultiMedia / Bluetooth

Features

- Ultra thin / Dimensions (3.2×2.5×0.8)
- Ceramic SMD Package
- Excellent Environment Resistant
- Tight Tolerance and Stability
- Reflow Soldering / Emboss Taping
- Compliant Products with AEC-Q200

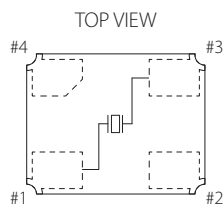
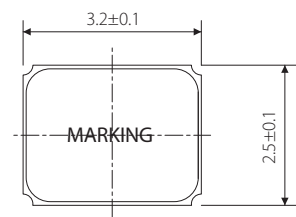
Specifications



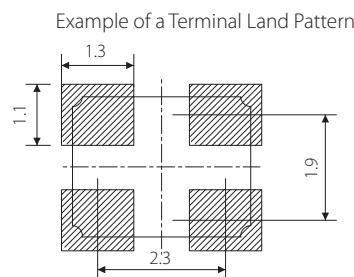
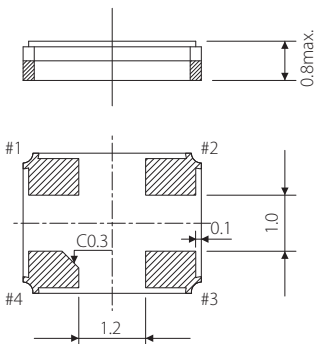
Model	CSX-3225
Nominal frequency range	12.000~40.000 MHz
Crystal cut	Fundamental [AT-cut]
Storage temperature range	-40~+125°C
Operating temperature range	-40~+85°C; -40~+125°C
Frequency temperature characteristics (Ref. to +25°C)	$\pm 50 \times 10^{-6}$; $\pm 100 \times 10^{-6}$
Frequency tolerance (at +25°C)	$\pm 15 \times 10^{-6}$
Equivalent series resistance	100Ω: 12.000~15.999 MHz 80Ω: 16.000~18.999 MHz 60Ω: 19.000~29.999 MHz 40Ω: 30.000~40.000 MHz
Load capacitance	series, 10pF, 12pF, 16pF
Shunt capacitance	5pF max.
Level of drive	10 μW (100 μW max.)

Package quantity: 3,000pcs max./Reel.
The product is suitable for Car multimedia, Car accessory application.

Outline and Dimensions [unit:mm]



• #1,#3 : Crystal terminal / #2,#4 : Connected to cover
(Please connect it with GND.)



Maximum marking length		Marking
line1	line2	
4	4	Laser
ex.)		24 . 5 S GA

