

## Tuning Fork (NXG SMD 2 x 6)



### { Features }



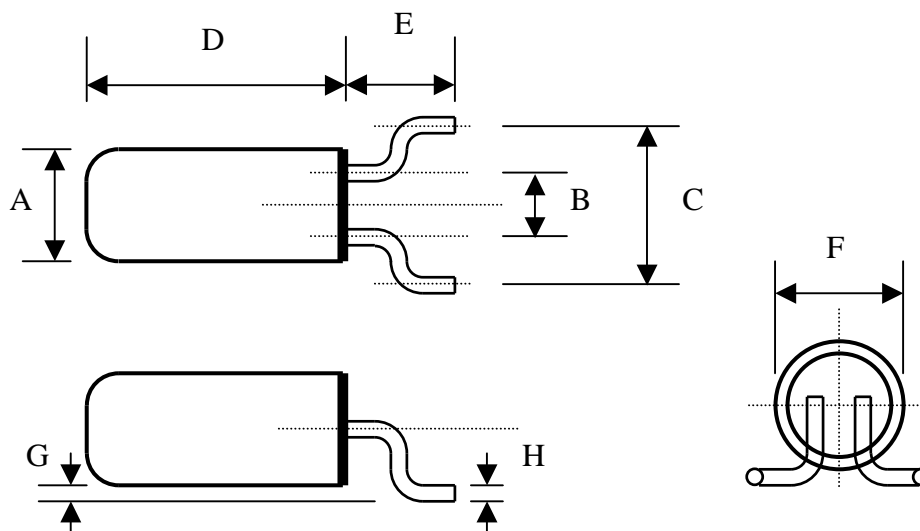
- High stability assured with tight vacuum sealing
- High vibration and shock resistance
- Frequency: 32.768 KHz



### Electrical Specification:

Model	NXG SMD
Frequency	32.768 KHz
Frequency Tolerance	$\pm 20$ ppm or $\pm 50$ ppm
Operating Temp Range	$-10^{\circ}\text{C} \sim +60^{\circ}\text{C}$ , $-20^{\circ}\text{C} \sim +70^{\circ}\text{C}$
Temperature Coefficient (Frequency)	$-0.04$ ppm $\pm$ $0.006$ ppm/ $^{\circ}\text{C}^2$ (TYP.)
Load Capacitance	12.5 pF
Drive Level	1uW ~ 10uW
Resonance Resistance	35 K $\Omega$
Shunt Capacitance	5 pF max (TYP.)
Oscillation Mode	Fundamental
Soldering Condition	Under $260^{\circ}\text{C}$ with 5sec (Do not heat the package to more than $150^{\circ}\text{C}$ )

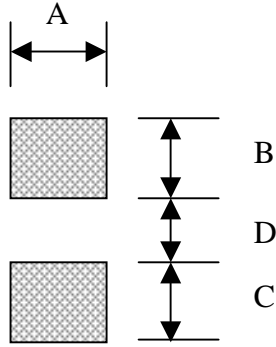
### Dimensions (mm):



A	B	C	D	E	F	G	H
$\phi 1.9 \pm 0.1$	$0.7 \pm 0.2$	$2.54 \pm 0.2$	6.5 max.	$3.0 \pm 0.2$	$\phi 2.0 \pm 0.2$	0 ~ 0.25	$0.23 \pm 0.03$

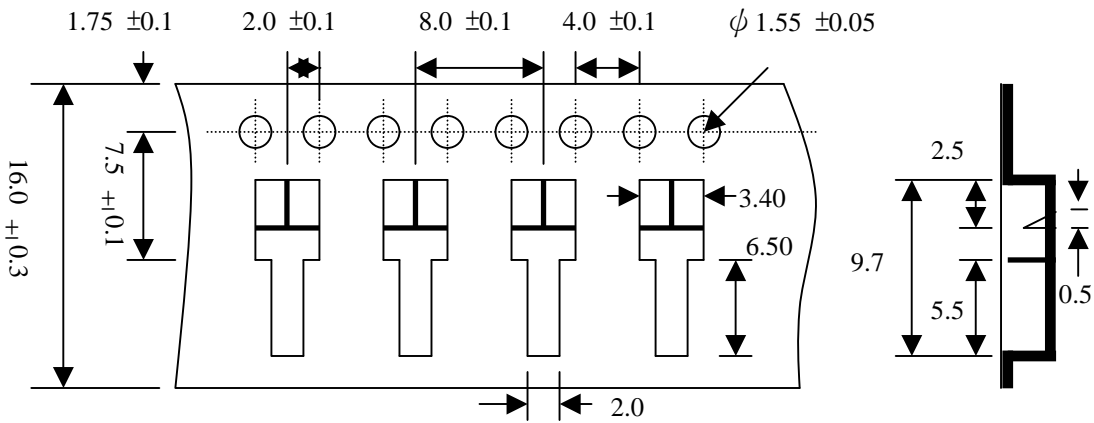


## LAND PATTERN LAYOUT ( EXAMPLE )



A	B	C	D
1.9	1.7	1.7	1.0

## TAPE AND REEL DIMENSIONS (UNIT:mm)



<b>W</b>	16.0 ±0.3
<b>A0</b>	2.0 ±0.1
<b>B0</b>	9.5 ±0.1
<b>K0</b>	2.0 ±0.1

## Reflow Temperature Profile:

