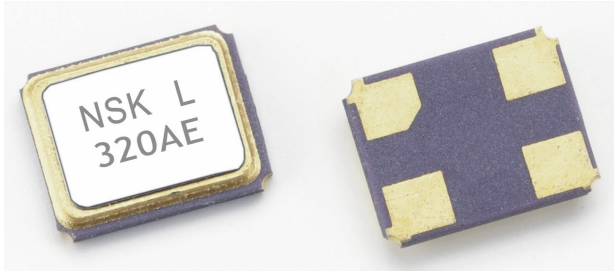


SMD TYPE CERAMIC (SMD 3.2 x 2.5)



Application of SMD crystal:

- Radio communication
- TCXO
- Office automation equipment
- GPS
- Audio-visual equipment

{Features}

Seam welding
 Excellent solderability
 Automatic and perfect packing due to emboss taping
 Excellent vibration resistance & shock resistance
 Rohs compliant / Pb free



Electrical Specification:

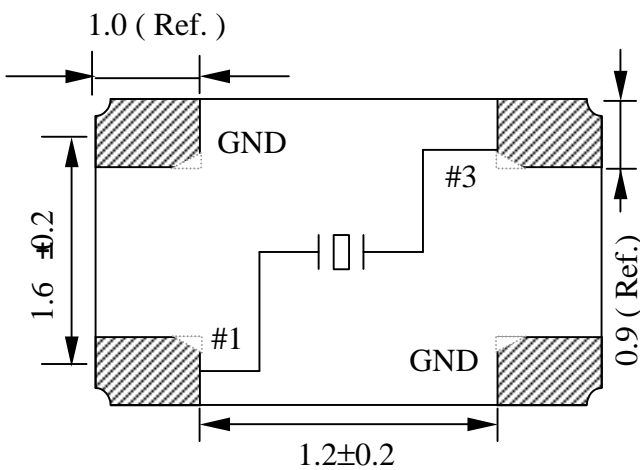
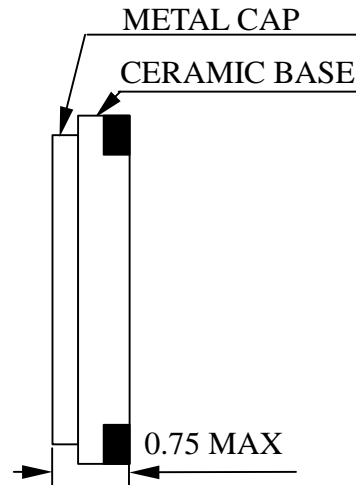
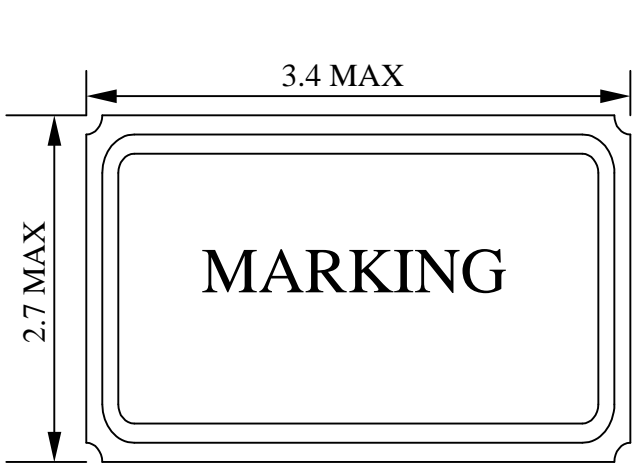
Model	NXK-32
1.Frequency	
Frequency Range	12.0 ~ 54.000 MHz
Frequency Tolerance at 25 ℃ ± ℃	±0 ~ ±50 ppm (TYP.)
Frequency Stability Over Operating Temp Range	±0 ~ ±50 ppm (TYP.)
2.Environmental Condition	
Operating Temp Range	-10 ℃~ +60 ℃,-20 ℃~ +70 ℃ or customer requirement
Storage Temp Range	-40 ℃ ~ +85 ℃
Aging Rate	±3ppm/year
3.Electrical Specifications	
Test Circuit	S&A 250B
Load Capacitance	6 pF ~ 32 pF, series or special
Drive Level	1uW ~ 100uW or special
Shunt Capacitance	7.0pF max

Equivalent Series Resistance(ESR) VS Frequency:

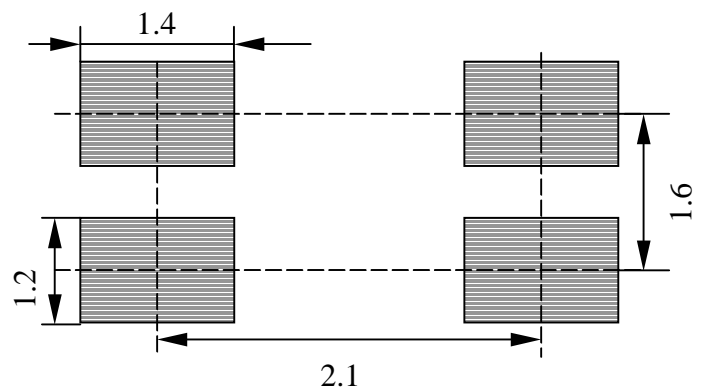
Frequency (MHz)	Oscillation Mode	NXK-32
12.0 ~ 13.0	Fundamental	120
13.1 ~ 20.0	Fundamental	100
20.1 ~ 26.0	Fundamental	80
26.1 ~ 54.0	3rd overtone	50



Dimensions (mm):

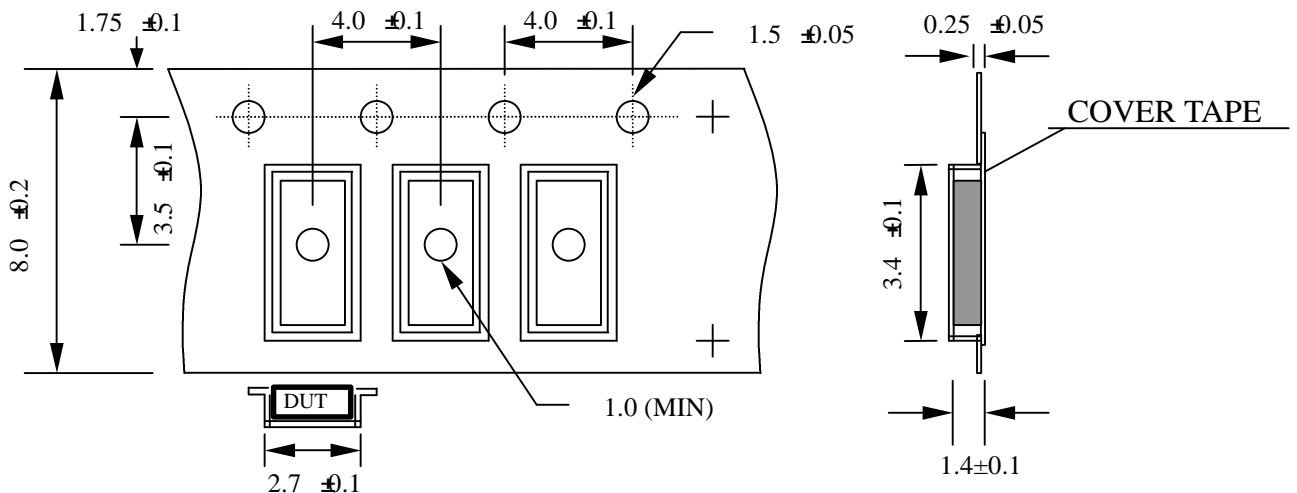


<TOP VIEW>

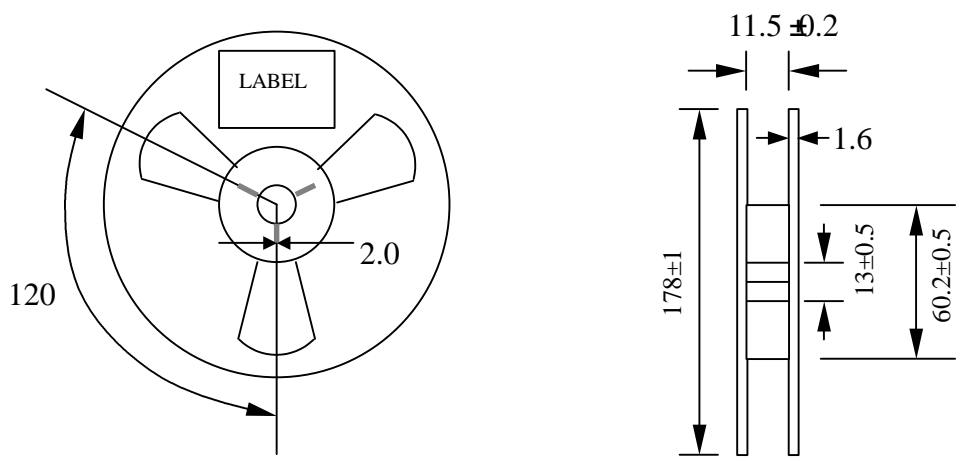


(Recommended Land Pattern)

Tape specification (mm):



Reel packing (mm):



Reflow Temperature profile:

