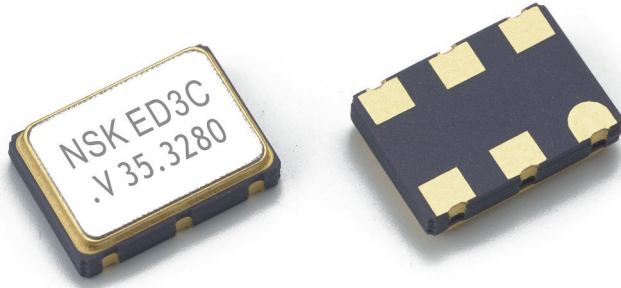


Voltage Controlled Crystal Oscillator



Application of VCXO products:

- PLL circuit
- Broad casting equipment
- AFC circuit
- Sonet/SDH.ATM
- FM modulator



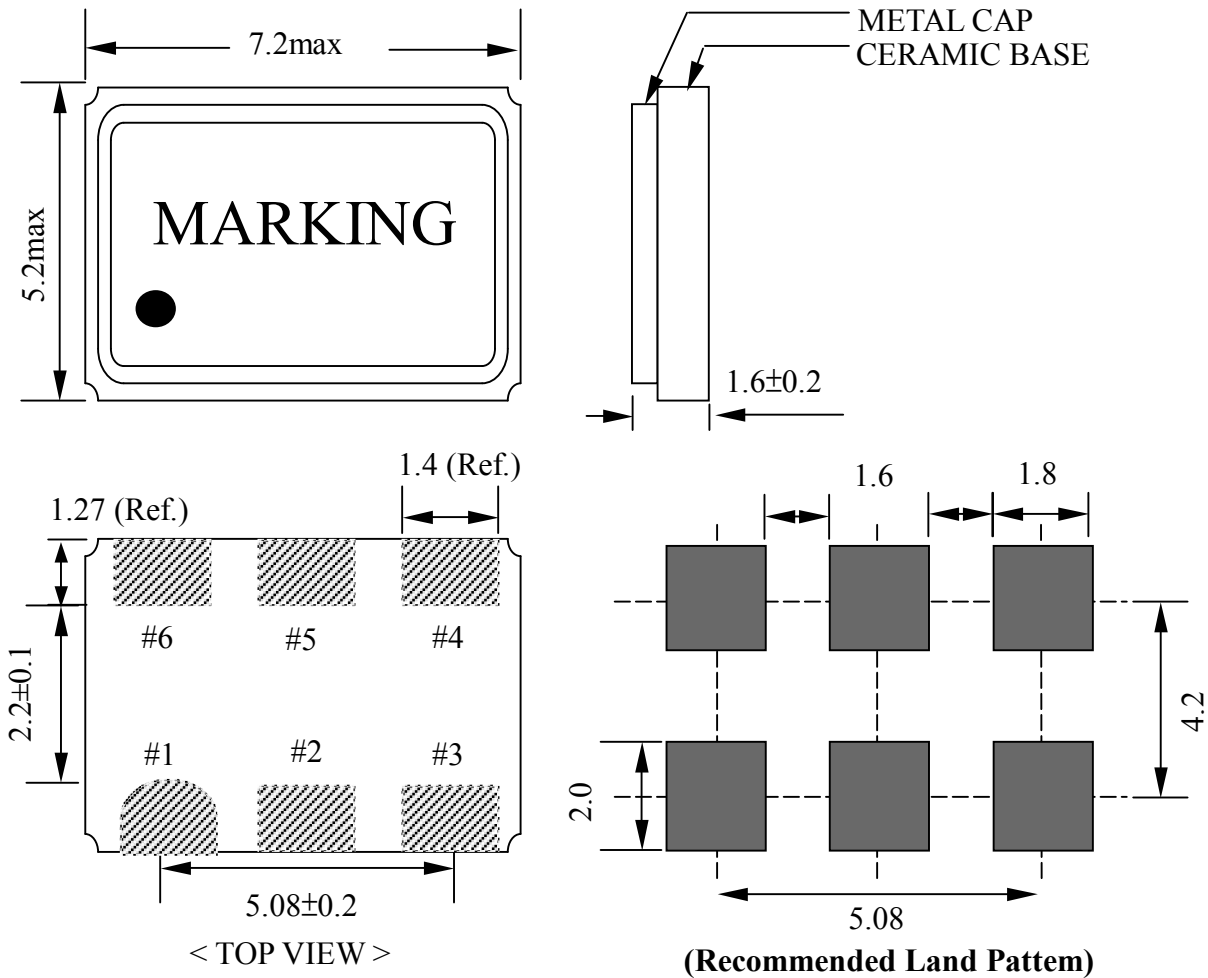
{Features}

Excellent environmental capability
 Frequency adjustable
 Supply voltage:3.3V or 5V
 Low power consumption
 High accuracy and high reliability

Electrical Specification:

Model		NAVD-6
Frequency Range	MHz	1.0 ~ 52.0
Frequency Stability	PPM	±30 ~ ±50 min.(2.5±2.0 V DC)
Environmental Condition		
Operating Temp Range	°C	0 ~ 70
Storage Temp Range		-40 ~ 85
Frequency Stability	PPM	±10 ~ ±100 max
Power Supply Voltage	V DC	5.0V±10% or 3.3V±10%
Output Symmetry	%	40% ~ 60% or 45% ~ 55%
Input Current	mA max	30 mA max
Output Load		5TTL or 15 pF
Rise and Fall Time	ns max	5.0 ns max

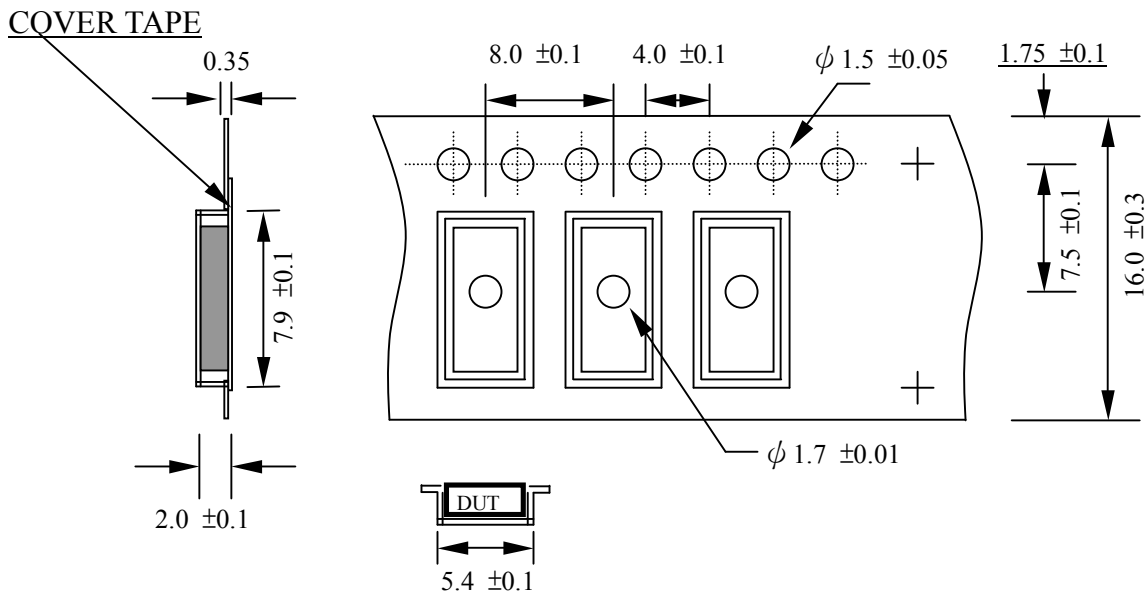
Dimensions (mm):



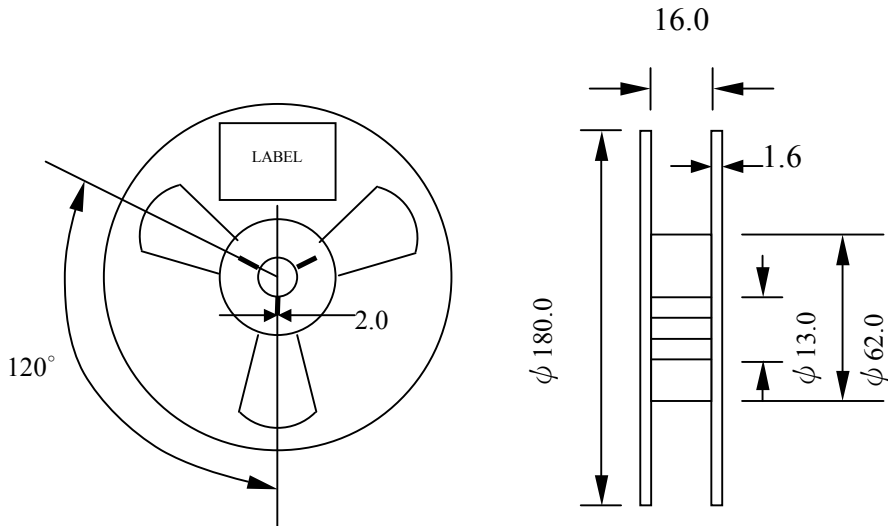
#1: ENABLE / DISABLE FUNCTION

INH (PIN 2)	→	OUTPUT (PIN4)	# NO.: define		
High (OPEN)	→	Operating	#6: VDC	#5: NC	#4: OUTPUT
LOW	→	High impedance	#1: Vcon	#2: E/D	#3: GND

Tape specification (mm):



Reel packing (mm):



Reflow Temperature Profile:

