



T124 series TCXO

650Hz to 5.0MHz
Rev. C

GREENRAY INDUSTRIES, INC.

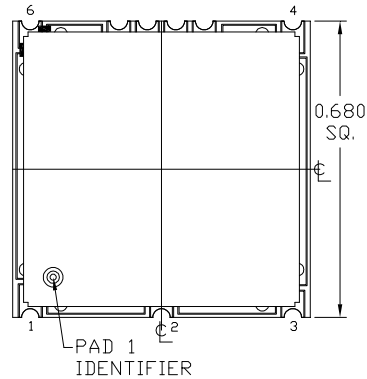
PRECISION QUARTZ TECHNOLOGY

Low Frequency TCXO
Tight Temp Stability

SPECIFICATIONS

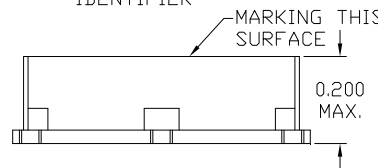
Frequency	650 Hz to 5.0 MHz		
Output	CMOS Squarewave		
Output Level	0 to +0.2 max to Vcc - 0.2V min		
Symmetry	50/50 ±5%		
Temp Stability	Temp Range	Tolerance	Option
	-20°C to +70°C	±0.3ppM	N37
	-20°C to +70°C	±0.5ppM	N57
	-40°C to +85°C	±0.3 ppM	T37
	-40°C to +85°C	±0.5 ppM	T57
	-40°C to +85°C	±1.0 ppM	T16
Voltage Stability	±0.3ppM for a 5% change		
Load Stability	±0.3ppM for a 5% change		
Aging	<0.5 ppM/yr		
Freq Adjust	±7ppM typ with 0 to +3.0VDC EFC		
Supply Voltage	+3.3 VDC ± 5% or +5.0VDC		
Supply Current	< 20mA		

Environmentals
 Vibration – per MIL-STD-202F, Meth 214,
 Cond II F
 Shock – per MIL-STD-202F, Meth 213,
 90g's pk, ½ sine, 5ms
 Storage Temp -54 to +105°C



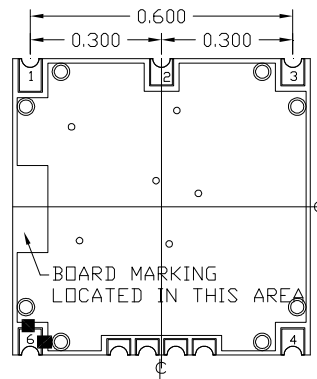
Ordering Example:

T124-T16-3.3-10.0kHz
 (Model-Stability-InpV-Freq)



Pad Connections

- 1 - Output
- 2 - N/C
- 3 - Vsupply
- 4 - EFC
- 6 - 0 V & Case Gnd



NOTES:
 1. UNMARKED PADS ARE NC AND FOR INTERNAL USE ONLY

