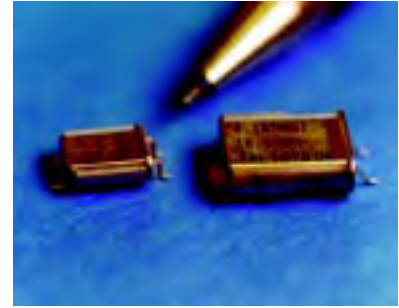


● FEATURES

- TIGHT TOLERANCE AND STABILITY OVER TEMPERATURE
- WIDE FREQUENCY RANGE
- EXCELLENT FREQUENCY SOURCE FOR TELECOM APPLICATIONS

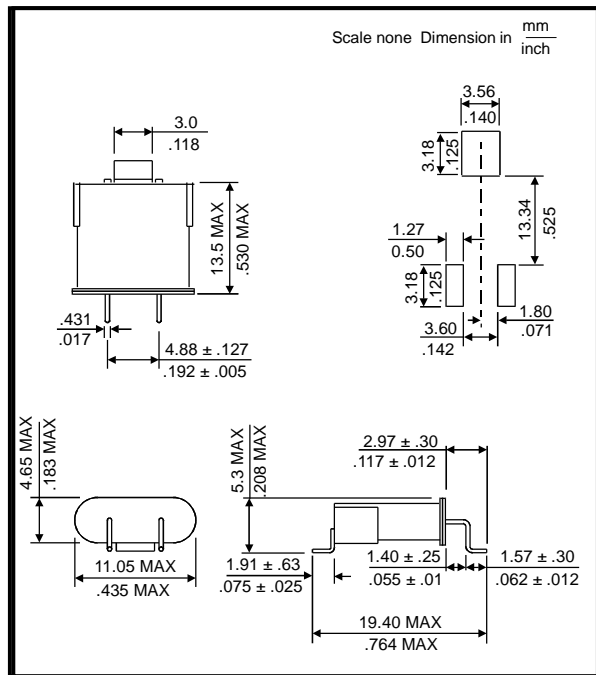
● SPECIFICATIONS

FREQUENCY RANGE	1.00 MHz TO 360.00 MHz	
HOLDER TYPES	A-SMD: HC-49/U-SMD	1.00 MHz TO 360.00 MHz
	C-SMD: UM-1 SMD	8.00 MHz TO 200.00 MHz
FREQUENCY TOLERANCE AT 25° C	±5 PPM TO ±25 PPM	
FREQUENCY STABILITY OVER TEMPERATURE RANGE	±3PPM TO ±10PPM(-10°C TO +60°C) ±15 TO ±50 PPM (-40°C TO +85°C)	
EXTENDED TEMPERATURE RANGE	-40°C TO +85°C MAXIMUM	
LOAD CAPACITANCE	10 pF TO 32 pF OR SERIES	
AGING PER YEAR	±3 PPM MAXIMUM	
MODE OF OSCILLATION (SEE PAGE 2)	FUNDAMENTAL TO NINTH OVERTONE	
EQUIVALENT SERIES RESISTANCE (ESR)	SEE PAGE 2	
DRIVE LEVEL	0.1 mW TYPICAL	

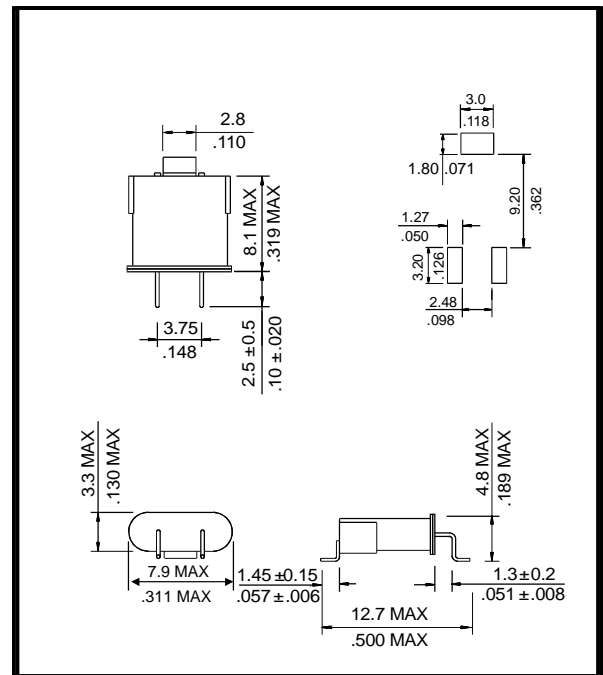


● OUTLINE DRAWINGS

A-SMD TYPE: HC-49/U-SMD



C-SMD TYPE: UM-1-SMD



● PART NUMBERING SYSTEM

HOLDER TYPE		FREQUENCY	LOAD CAPACITANCE	MODE		TOLERANCE/STABILITY	EXTENDED TEMPERATURE	SURFACE MOUNT	
A	HC-49/U-SMD	IN MHZ	10 TO 32pF FOR PARALLEL S FOR SERIES	F	FUNDAMENTAL	EX. 1010, 1530 (PPM / PPM)	EXT	SMD	
C	UM-1-SMD			3OT	THIRD OVERTONE				5OT

EXAMPLE: A-32.000-20-3OT-SMD
C-100.00-S-5OT-SMD