

**Pb Free**

**RoHS Compliant**

**Features**

- "H" type leadless ceramic package (Reflow soldering compatible)
- With tri-state function (High Z)
- $\pm 15 \times 10^{-6}$  / -40 to +85°C available

**Applications**

- High Stability Clock Oscillation Wireless LAN (Standard Frequency 44, 40, 22, 20MHz)

**How to Order**

KC5032H 40.0000 C 3 L D 00  
① ② ③ ④ ⑤ ⑥ ⑦

- ① Type
- ② Output Frequency
- ③ Output Type (CMOS)
- ④ Supply Voltage (2.7 to 5.5V)
- ⑤ Frequency Tolerance ( $TC = \pm 15 \times 10^{-6}$ )
- ⑥ Symmetry/Enable Function (45/55%, INH)
- ⑦ Customer Special Model Suffix (STD Specification is "00")

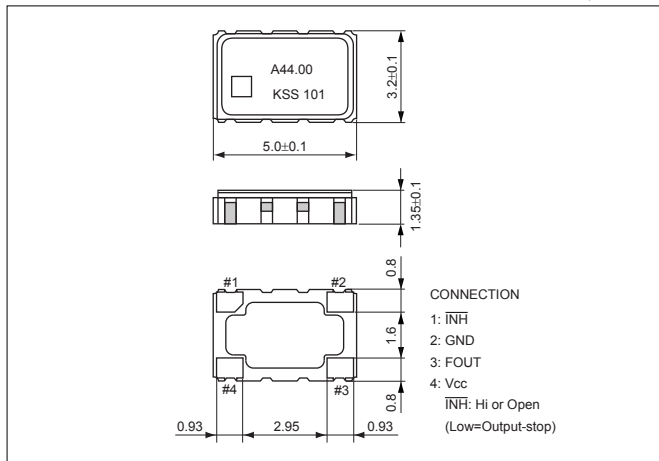
**Specifications**

Items	Symbol	Conditions	Specifications		Units
			Min.	Max.	
Output Frequency Range	F <sub>0</sub>		1.5	50	MHz
Frequency Tolerance (Overall)	F <sub>tol</sub>		-15	+15	$\times 10^{-6}$
Storage Temperature Range	T <sub>stg</sub>		-55	+125	°C
Operating Temperature Range	T <sub>use</sub>		-40	+85	°C
Max. Supply Voltage	—		-0.6	6	V
Supply Voltage	V <sub>DD</sub>		2.7	5.5	V
Current Consumption	I <sub>DD</sub>	1.5 to 25MHz	—	7	mA
		25 to 55MHz	—	10	
Stand-by Current	I <sub>std</sub>		—	50	µA
Symmetry	SYM	@50% V <sub>DD</sub>	45	55	%
Rise / Fall Time	Tr/Tf		—	6	nS
Output Voltage-"L"	V <sub>OL</sub>		—	10% V <sub>DD</sub>	V
Output Voltage-"H"	V <sub>OH</sub>		90% V <sub>DD</sub>	—	V
Output Load	CL		—	15	pF
Input Voltage Range	V <sub>IN</sub>		0	V <sub>DD</sub>	V
Input Voltage-"L"	V <sub>IL</sub>		70% V <sub>DD</sub>	—	V
Input Voltage-"H"	V <sub>IH</sub>		—	30% V <sub>DD</sub>	V
Start-up Time	ST	1.5 to 25MHz	—	1.5	mS
		25 to 55MHz	—	1	

Note: All electrical characteristics are defined at the maximum load and operating temperature range. Please contact us for inquires about operating temperature range, available frequencies and other conditions.

**Dimensions**

(Unit : mm)



**Recommended Land Pattern**

(Unit : mm)

