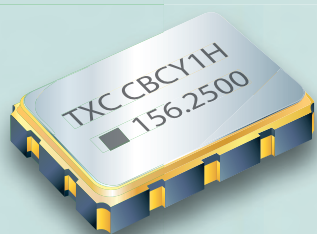


# SMD LVPECL Crystal Oscillators - Differential Output

## 5.0 x 3.2 x 1.2 mm CB Series



### Features

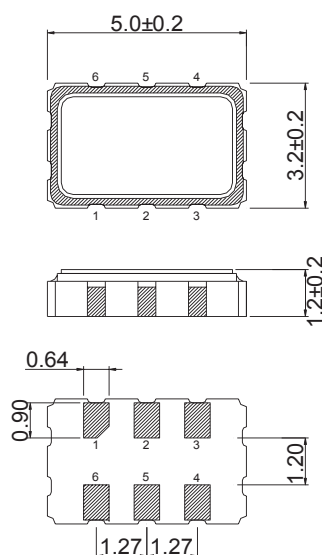
- 3rd overtone solution.
- 3.3V and 2.5V operation available.
- LVPECL output, output frequencies 25 MHz to 200 MHz.
- Excellent low phase noise and jitter.
- Tri-state function available.
- Applications : Fibre Channel, Gigabit Ethernet, Serial ATA, Serial Attached SCSI, PCI-Express, SDH/SONET.
- RoHS compliant / Pb Free.

### Electrical Specifications

| Item / Type                                    | CB  |
|--|---|
| Output Type                                    | LVPECL                                    |
| Output Load                                    | 50 Ω                                      |
| Oscillation Mode                               | 3rd Overtone                              |
| Supply Voltage (VDD)                           | 2.5 V , 3.3 V                             |
| Frequency Range                                | 25 ~ 200 MHz                              |
| Overall Frequency Stability *                  | ± 50 ppm , or specify                     |
| Operating Temperature Range                    | -10 ~ + 70 °C, - 40 ~ + 85 °C, or specify |
| Storage Temperature Range                      | - 55 ~ + 125 °C                           |
| Voltage Vol ( Max.) / Voh ( Min.)              | VDD - 1.62 V / VDD - 1.025 V              |
| Rise ( Tr ) / Fall ( Tf ) Time ( 20 % ~ 80 % ) | 1 nS Max.                                 |
| Supply Current                                 | 80 mA Max.                                |
| Symmetry                                       | 45 ~ 55 %                                 |
| Start-up Time                                  | 10 mS Max.                                |
| Phase Jitter ( 12 KHz ~ 20 MHz )               | 1 pS Max.                                 |

\* Inclusive of frequency tolerance at 25 °C, variation over temperature, supply voltage variation, aging and vibration.

### Dimensions

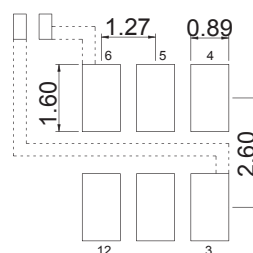


※ Pad dimension tolerance ±0.2 mm

#### Pin Function:

1. Enable Control or NC
2. Enable Control or NC
3. GND
4. OUT
5. OUTN
6. VDD

#### Land Pattern:



※ Power Supply Decoupling Capacitor is Required.

※ Pad dimension tolerance ±0.2 mm

Units: mm

